

THE INTEGRIX™ STANDARD

HIGHER DEFINITION IMAGE QUALITY

- » Quality German SCHOTT and Japanese OHARA Glass
- » Multi-coated Lenses for Optimal Scratch Resistance and to Minimize Glare and Reflection
- » Advanced 92% Light Transmittance
- » Striking Edge-to-edge Clarity with High Contrast Resolution
- » Superior Wide-angle Field of View
- » Smooth, Consistent, and Accurate Zoom Cam Curve

READY FOR WHEN AND WHERE IT COUNTS

- » IPX7 Waterproof Rated with -40°F to 160°F Operational Range
- » .338 LAPUA Magnum Caliber Rated
- » Red and Green Reticle Illumination
- » 12 Hour Automatic Shutoff
- » Guaranteed for Life

TAILORED ERGONOMICS

- » Intuitive Push/Pull Lockable and Zero Resettable Windage and Elevation Turrets
- » Predictable, Tactile, and Audible Click Values
- » Serrated Turrets, Power Ring, and Eyepiece Diopter Optimized for Gloved Use
- » Optional Throw Lever Included

**SUPERIOR QUALITY.
RUGGED PERFORMANCE.**



**VIVID DETAIL.
THIS IS INTEGRIX™**

INTEGRIX™ CHALLENGING WHAT'S STANDARD.

A CRITICAL DECISION MADE OFTEN BY SHOOTERS IS WHAT OPTIC TO PICK FOR THEIR FIREARMS. IT IS A DECISION, ONE OF INTEGRITY AND INTELLIGENCE TO JUSTIFY WHAT WE CONSIDER TO BE QUALITY.

THE VOICE OF THE CUSTOMER HAS SPOKEN. LEAPERS HAS LISTENED, AND LISTENED WITH DECADES OF ATTENTION AS WELL AS PERSISTENT R&D. WE HAVE LEARNED THAT QUALITY OPTICS ACHIEVE OPTIMAL PERFORMANCE ONLY WHEN SUPERIOR OPTICAL DESIGN AND MECHANICAL PRECISION INTEGRATE SEAMLESSLY UNDER THE STRICTEST TOLERANCE CONTROL. WHEN SUCH STANDARDS ARE MET AT THE MANUFACTURING LEVEL, OUR CUSTOMERS' DREAMS COME TRUE.

LEAPERS BRINGS TO THE FOREFRONT OF SHOOTERS, THE CULMINATION OF INTEGRATED AND INTELLIGENT OPTICAL DESIGN AND MANUFACTURING. **THIS IS INTEGRIX™.**

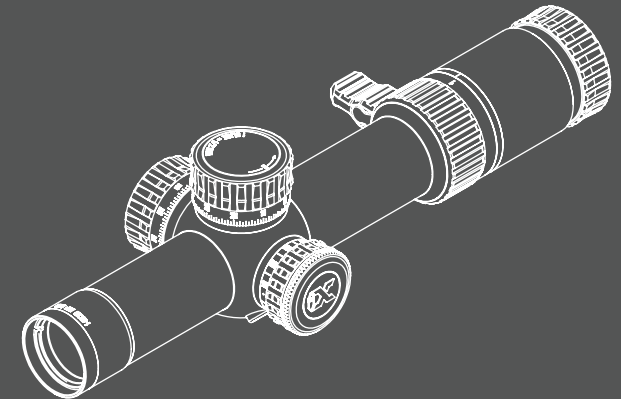
SUPERIOR WIDE ANGLE FIELD OF VIEW
QUALITY GERMAN SCHOTT & JAPANESE OHARA GLASS
STRIKING EDGE-TO-EDGE CLARITY & RESOLUTION
SHARP 92% LIGHT TRANSMITTANCE
TOUGH RATED FOR .338 LAPUA MAGNUM

LEAPERS, INC.

HEADQUARTERED IN MICHIGAN, USA
WWW.LEAPERS.COM



**INTEGRIX™
CHALLENGING WHAT'S STANDARD.**



IX™ 8 1-8X28 FFP
A1 MOA RETICLE / 34MM / iX801FA1



iX⁸ 1-8X28 FFP

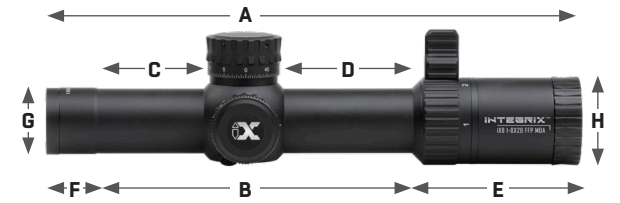
A1 MOA RETICLE / 34MM / iX801FAI

READY FOR WHEN AND WHERE IT COUNTS

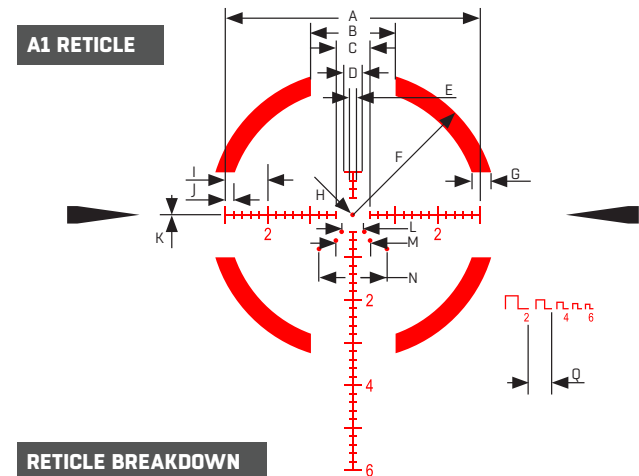
STRUCTURE SPECIFICATIONS	
Magnification	Low Power: 1 / High Power: 8
Focal Plane	First Focal Plane
Parallax	Fixed @ 100 yds
Reticle Type	MOA
Reticle Pattern	A1 Reticle with 18" Target Range Estimating
Daylight Visible Reticle	Yes
Illuminated Color	Red / Green, 10 Levels for Each Color
Brightness Setting	Side Rotary Tower / Positive Mechanical Stop
Auto Shutoff Feature	12 Hours
Battery Type	CR2032 3V
Click Value	½ MOA
Elevation Travel	60 MOA Up, 40 MOA Down
Windage Travel	25 MOA Right, 25 MOA Left
Elevation Turret Locking	Pull to Unlock / Push to Lock
Windage Turret Locking	Pull to Unlock / Push to Lock
Waterproof	IPX7 Waterproof (1 Meter for 30 Minutes)
Recoil Proof	.338 Lapua Magnum & .308 Caliber Rated
Fog Proof	Nitrogen Purged
Temperature Operating Range	-40°C to +70°C / -40°F to +160°F
Country of Manufacture	Taiwan

HIGHER DEFINITION IMAGE QUALITY

OPTICAL SPECIFICATIONS		
	Low Power	High Power
Magnification	1	8
Angular FOV	21.8°	2.7°
Linear FOV @100 yds	115.5'	14.1'
Linear FOV @100 m	38.5 m	4.7 m
Exit Pupil Diameter	11 mm	3.5 mm
Eye Relief	3.7" / 94 mm	3.5" / 90 mm
Parallax	Fixed @ 100 yds	
Ocular Diopter Adjustment	-3D - +2D	
Lens Coating	Multi-layer Anti-reflection Coating	
Light Transmission	92%	
Objective Diameter	28 mm	



DIMENSIONS		
Overall Length (A)	10.9"	276.0 mm
Eye piece Bell to Objective Bell Length (B)	6.4"	163.0 mm
Objective Bell to Turret Length (C)	2.1"	55.0 mm
Eye piece Bell to Turret Length (D)	2.6"	67.0 mm
Ocular Tube Length (E)	3.4"	86.0 mm
Objective Tube Length (F)	1.0"	27.0 mm
Objective Diameter (G)	1.4"	35.0 mm
Eye piece Diameter (H)	1.8"	46.0 mm
Tube Diameter	1.34"	34.0 mm
Elevation Turret Height	1.0"	25.5 mm
Windage Turret Height	1.0"	25.5 mm
Parallax/Illumination Turret Height	0.9"	22.0 mm
Elevation Turret Diameter	1.57"	40.0 mm
Windage Turret Diameter	1.57"	40.0 mm
Parallax/Illumination Turret Diameter	1.4"	36.0 mm
Weight	25.3 oz	716 g

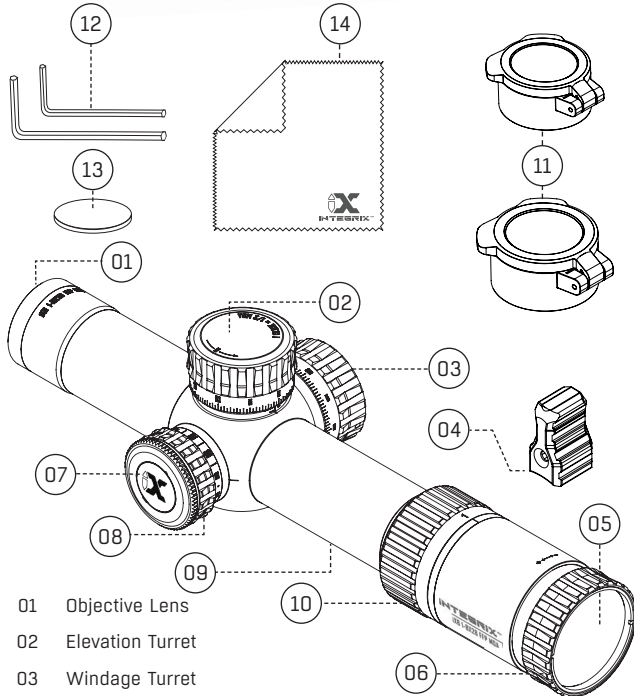


RETICLE BREAKDOWN

Unit	A	B	C	D	E	F	G	H	I	J	K
MOA	60	20	8	4	2	34	4	1	10	2	0.25

18 INCH TARGET RANGING

Unit	L	M	N	Q
inch/100 yards			18	
inch/200 yards		18		
inch/300 yards	18			18



- 01 Objective Lens
- 02 Elevation Turret
- 03 Windage Turret
- 04 Throw Lever (Included)
- 05 Ocular Lens
- 06 Diopter Adjustment
- 07 Battery Compartment (Button Cell CR2032)
- 08 Illumination Turret
- 09 Scope Body
- 10 Magnification Adjustment Ring
- 11 Flip-open Lens Caps (Included)
- 12 Hex Wrenches (2 mm & 1.5 mm) (Included)
- 13 CR2032 Battery (Included)
- 14 Cleaning Cloth (Included)



Note: Scope depicted is for illustration purposes and may not represent your actual product and its featured components.